

UNDER CABINET

CATALOG NO.	LAMPS	BALLAST	POWER FACTOR	LENGTH	WIDTH	DEPTH	PCS/CTN	UNIT WT.
UC 115	1-15W	Preheat	Low	18	5-3/16	1-7/8	1	3-1/2
UC 115 TS	1-15W	Trigger	Low	18	5-3/16	1-7/8	1	5
UC 120	1-20W	Preheat	Low	24	5-3/16	1-7/8	1	4
UC 120 TS	1-20W	Trigger	Low	24	5-3/16	1-7/8	1	5
UC 130 RS	1-30W	Rapid	Low	36	5-3/16	1-7/8	1	8
UC 140	1-40W	Preheat	Low	48	5-3/16	1-7/8	1	9
UC 140	1-34W	Rapid	High	48	5-3/16	1-7/8	1	9

SHALLOW UNDERCABINET LIGHT

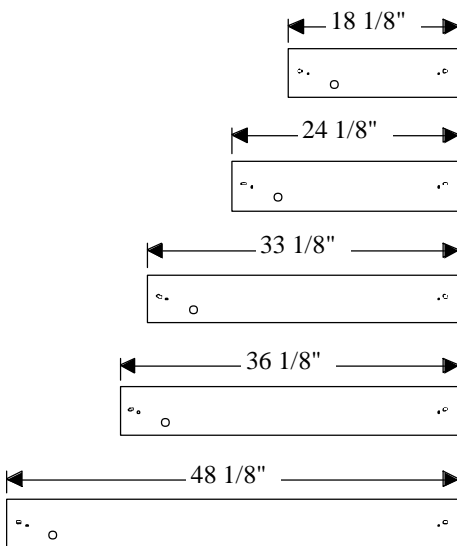
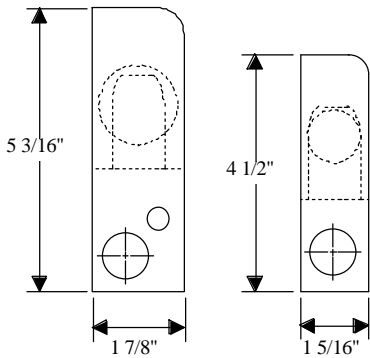
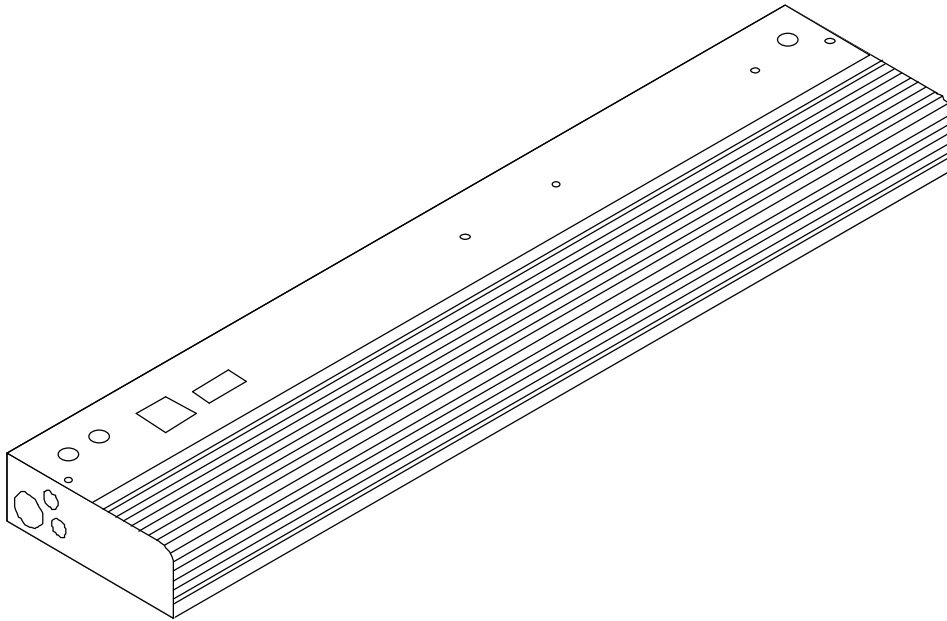
UCS 108	1-8W	Preheat	Low	12 15/16	4 1/2	1 5/16	1	
UCS 115	1-15W	Preheat	Low	18	4 1/2	1 5/16	1	3-1/2
UCS 215	1-2/15W	Preheat	Low	36	4 1/2	1 5/16	1	3-1/2

- ⓓ Shallow 1-7/8" depth provides an unobtrusive light source for a variety of task lighting applications.
- ⓓ Type A - Housings are stamped steel finished with baked white enamel.
- ⓓ Type B - Housings are stamped steel finished with attractive walnut woodgrain.
- ⓓ Fits easily under most any shelf or cabinet application.
- ⓓ Standard diffuser is milk white styrene, acrylic is optional upon request.
- ⓓ Switch (pull or push) and convenient outlet are available upon request.

All H & H Lighting Fixtures are completely wired for 118 volts 60 cycle A.C. operation. Ready for installation. All fixtures bear the I.B.E.W., A. F. of L. and Underwriters Laboratories labels.



UNDER CABINET



MOUNTING - Complete with knockouts for surface mounting individually or in continuous rows. Conduit knockouts are supplied on ends and back.

ELECTRICAL - Furnished standard with UL listed ballasts, for 120 Volt 60 Hz A.C. operation. Other voltages and accessories available. Fixtures bear the I.B.E.W., A.F. of L., and Underwriters' Laboratories, Inc. labels.

APPLICATION - An ideal low silhouette unit for all limited depth mounting areas with cornices and valances, wall cases, displays, and many under-cabinet locations.

CONSTRUCTION - Wireway and ends die-formed of code gauge steel, finished in automatic bonderizing, rust preventative process, with high reflectivity baked white enamel. Reflector is removable for easy access to electrical components.