

WRAP AROUND PLASTIC DIFFUSER

CATALOG NO.	LAMPS	BALLAST	POWER FACTOR	LENGTH	WIDTH	DEPTH	PCS/CTN	UNIT WT.
300220 TS	2-20W	Trigger	Low	24	11-5/16	3-3/8	1	14
300420 TS	4-20W	Trigger	Low	24	16	3-3/8	1	18
300140 RS	1-34W	Rapid	High	48	6-3/4	4-5/8	1	12
300240 RS	2-34W	Rapid	High	48	11-5/16	3-3/8	1	17
300440 RS	4-34W	Rapid	High	48	16	3-3/8	1	27

TANDEM UNIT

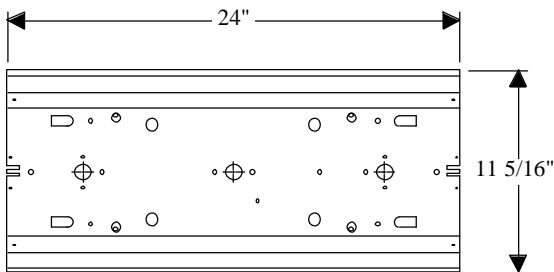
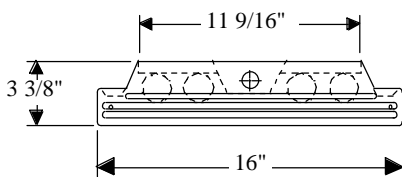
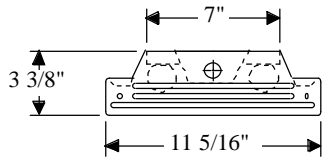
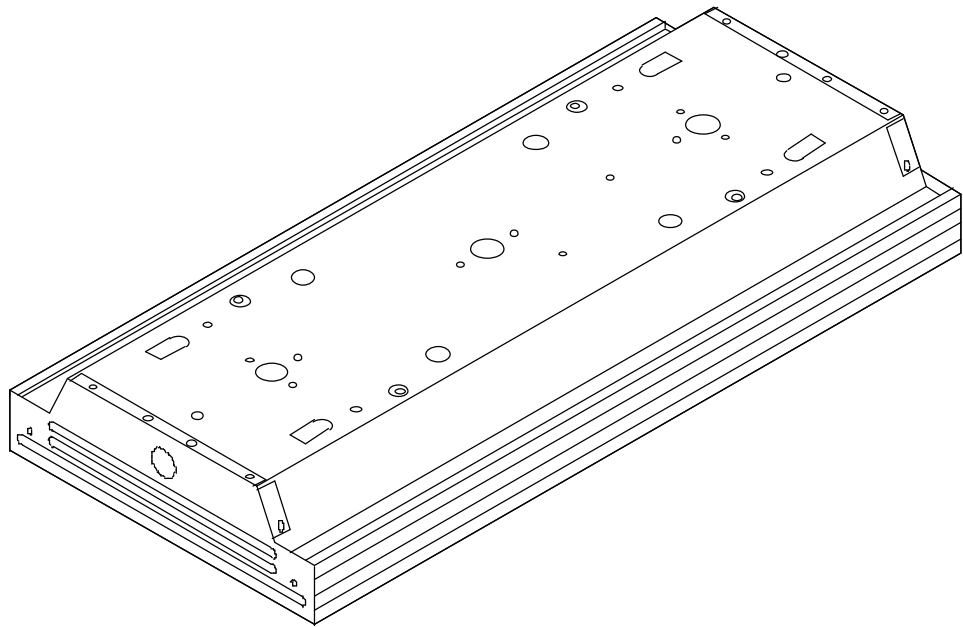
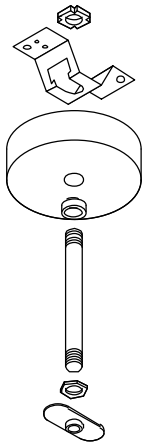
300140-2 RS	2-34W	Rapid	High	96	6-3/4	4-5/8	1	22
300240-2 RS	4-34W	Rapid	High	96	11-5/16	3-3/8	1	38

- ⊖ Low-profile luminaires.
- ⊖ Acrylic Prismatic diffuser produces low brightness side illumination.
- ⊖ Acrylic shielding hinges along the units entire length for safety and ease of maintenance.
- ⊖ Wireway cover removes without the use of tools.
- ⊖ Stem or surface mounting, unit or row installation.

All H & H Lighting Fixtures are completely wired for 118 volts 60 cycle A.C. operation. Ready for installation. All fixtures bear the I.B.E.W., A. F. of L. and Underwriters Laboratories, labels.



300 SERIES



CHASSIS - 20 gauge steel die formed with all necessary knockouts for individual or continuous mounting.

FINISH - 400 degree baked super white enamel.

WIRING - Completely wired. Ready to install. UL listed electrical components. 118 Volts, 60 cycle, AC. Underwriters Laboratories (UL 1570) listed. Union fabricated and wired AFL-IBEW.

DIFFUSER - One piece wrap-around, extruded, light stabilized Acrylic diffuser. Clear plastic with ribbed sides and recessed cone bottom. Hinges from either side for easy removal.