

# ONE LAMP STAGGERED STRIP

CATALOG NO.	LAMPS	BALLAST	POWER FACTOR	LENGTH	WIDTH	DEPTH	PCS/CTN	UNIT WT.
8124 TS	1-20W	Trigger	Low	27	5	3-5/8	2	7
8136 RS	1-30W	Rapid	Low	40	5	3-5/8	2	10
8148 RS	1-34W	Rapid	High	52	5	3-5/8	2	13
8136-2 RS	2-30W	Rapid	High	77	5	3-5/8	2	20
8148-2 RS	2-34W	Rapid	High	101	5	3-5/8	2	26

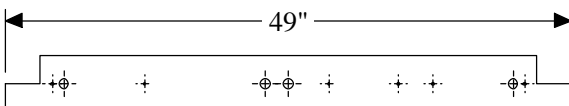
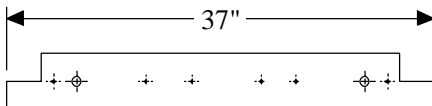
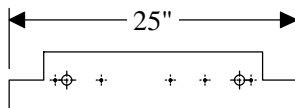
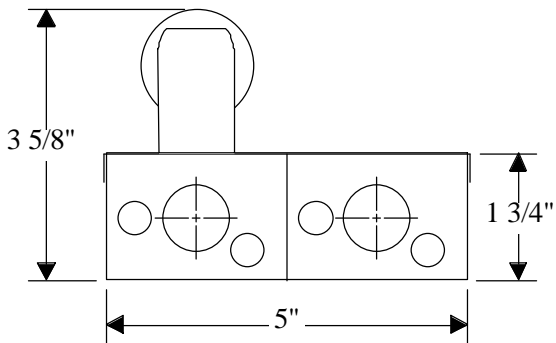
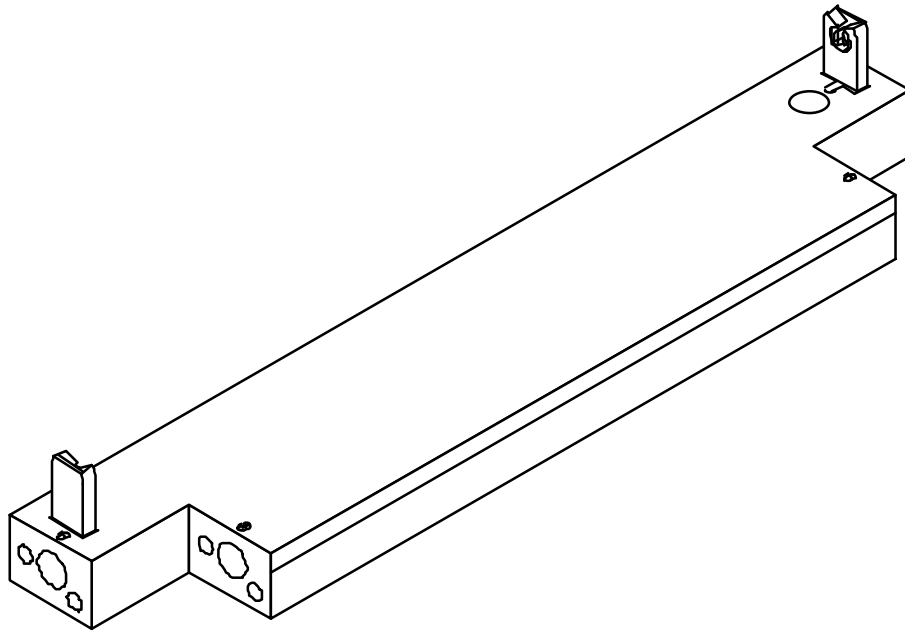
- ⊘ Housings is die-formed steel, finished with baked white polyester powder coating.
- ⊘ Designed for cove or valance lighting to avoid dark areas between fixtures.
- ⊘ 3" offset provides an even unbroken band of illumination.
- ⊘ Trigger start and rapid start lamps.
- ⊘ Unit or row installation.



H Lighting Company, Inc. • St. Louis, Missouri • 314/773-1176 • FAX 314/773-2890

All H & H Lighting Fixtures are completely wired for 118 volts 60 cycle A.C. operation. Ready for installation. All fixtures bear the I.B.E.W., A. F. of L. and Underwriters Laboratories, Inc. labels.

# 8100 SERIES



**MOUNTING** - Complete with knockouts for surface mounting or pendant mounting, individually or in continuous rows. Pendant mounting accessories available on specification. Conduit knockouts are supplied on ends and back.

**ELECTRICAL** - Furnished standard with UL listed ballasts, for 120 Volt 60 Hz A.C. operation. Other voltages and accessories available. Fixtures bear the I.B.E.W., A.F. of L., and Underwriters' Laboratories, Inc. labels.

**APPLICATION** - An ideal low silhouette unit for all limited depth mounting areas with cornices and valances, drop ceilings, wall cases, displays, and many under-cabinet locations.

**CONSTRUCTION** - Wireway and ends die-formed of code gauge steel, finished in automatic bonderizing, rust preventative process, with high reflectivity powder coated baked white enamel. Reflector is removable for easy access to electrical components.