

# INDUSTRIAL FIXTURE

CATALOG NO.	LAMPS	BALLAST	POWER FACTOR	LENGTH	WIDTH	DEPTH	PCS/ CTN	UNIT WT.
5124 TS	1-20 W	Trigger	Low	24	8-7/8	4	1	6
5224 TS	2-20 W	Trigger	Low	24	12-1/2	5-3/8	1	8
5148 RS	1-34 W	Rapid	High	48	8-7/8	4	1	11
5248 RS	2-34 W	Rapid	High	48	12-1/2	5-3/8	1	19
5248 SL	2-38 W	Slimline	High	48	12-1/2	5-3/8	1	21
5448 RS	4-34 W	Rapid	High	48	15	5	1	28
5448 SL	4-38 W	Slimline	High	48	15	5	1	28
5196 SL	1-75 W	Slimline	High	96	8-7/8	4	1	20
5296 SL	2-60 W	Slimline	High	96	12-1/2	5-3/8	1	37
5496 SL	4-60 W	Slimline	High	96	15	5	1	54

## TANDEM (16 FOOT) UNIT

5196-2 SL	2-60 W	Slimline	High	192	8-7/8	4	1	40
-----------	--------	----------	------	-----	-------	---	---	----

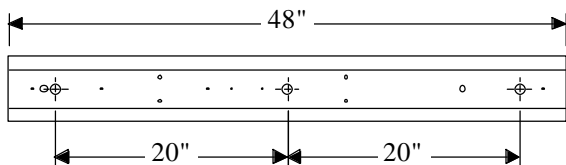
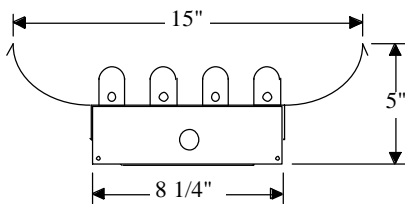
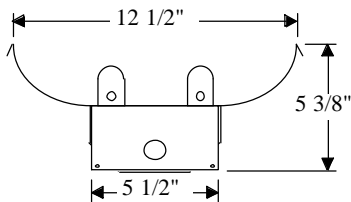
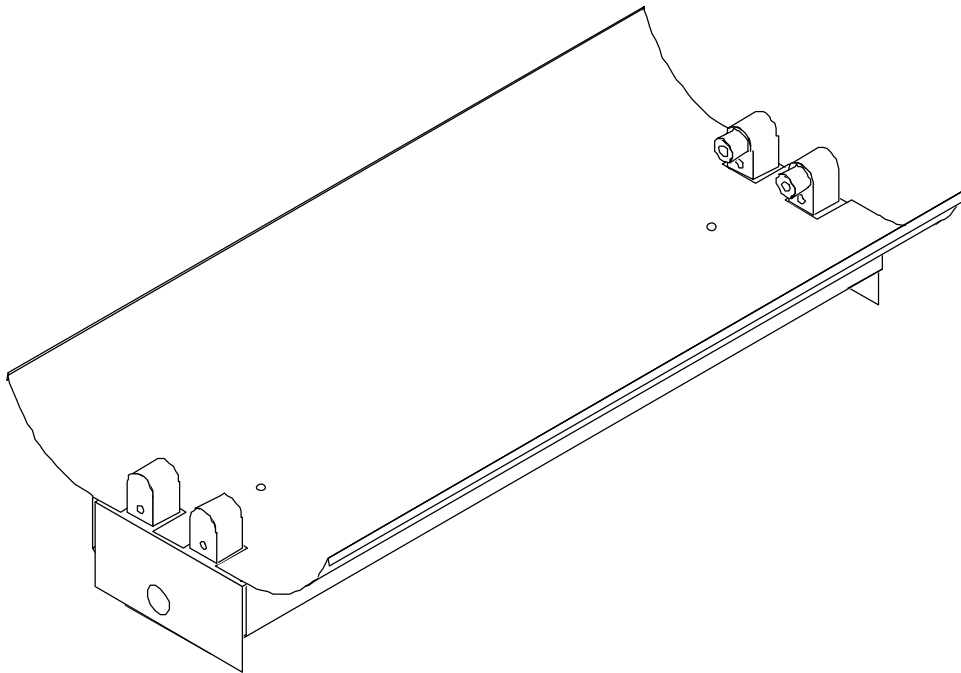
- ⓓ Housing, ends, and reflector are die-formed steel, finished with baked white polyester powder coating.
- ⓓ Solid-top, one-piece reflector standard.
- ⓓ Uplight available with optional aperture reflector.
- ⓓ Surface, pendant, or chain mounting, individual or continuous row installation.
- ⓓ Reflector removes without the use of tools.
- ⓓ For aperture reflectors for industrial fixtures, add suffix--APP.

All H & H Lighting Fixtures are completely wired for 118 volts 60 cycle A.C. operation. Ready for installation. All fixtures bear the I.B.E.W., A. F. of L. and Underwriters Laboratories labels.



H Lighting Company, Inc. • St. Louis, Missouri • 314/773-1176 • FAX 314/773-2890

# SLIMLINE



**MOUNTING** - Complete with knockouts for surface mounting or pendant mounting, individually or in continuous rows. Pendant mounting accessories available on specification. Conduit knockouts are supplied on ends and back.

**ELECTRICAL** - Furnished standard with UL listed ballasts, for 120 Volt 60 Hz A.C. operation. Other voltages and accessories available. Fixtures bear the I.B.E.W., A.F. of L., and Underwriters' Laboratories, Inc. labels.

**APPLICATION** - All industrial fixtures are designed for quick, easy installation either, hanging or flush, individually or continuous rows.

**CONSTRUCTION** - Wireway and ends die-formed of code gauge steel, finished in automatic bonderizing, rust preventative process, with high reflectivity powder coated baked white enamel. Reflector is removable for easy access to electrical components.