

STANDARD TWO LIGHT STRIP

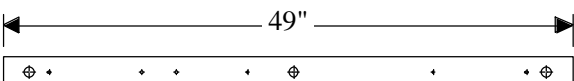
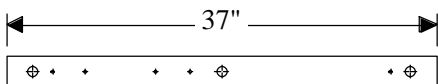
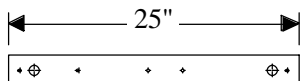
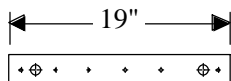
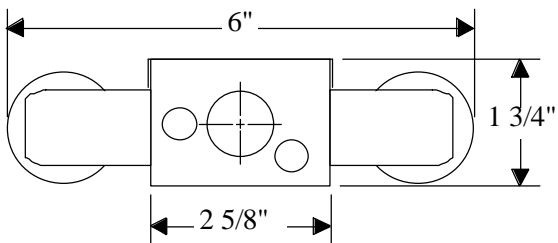
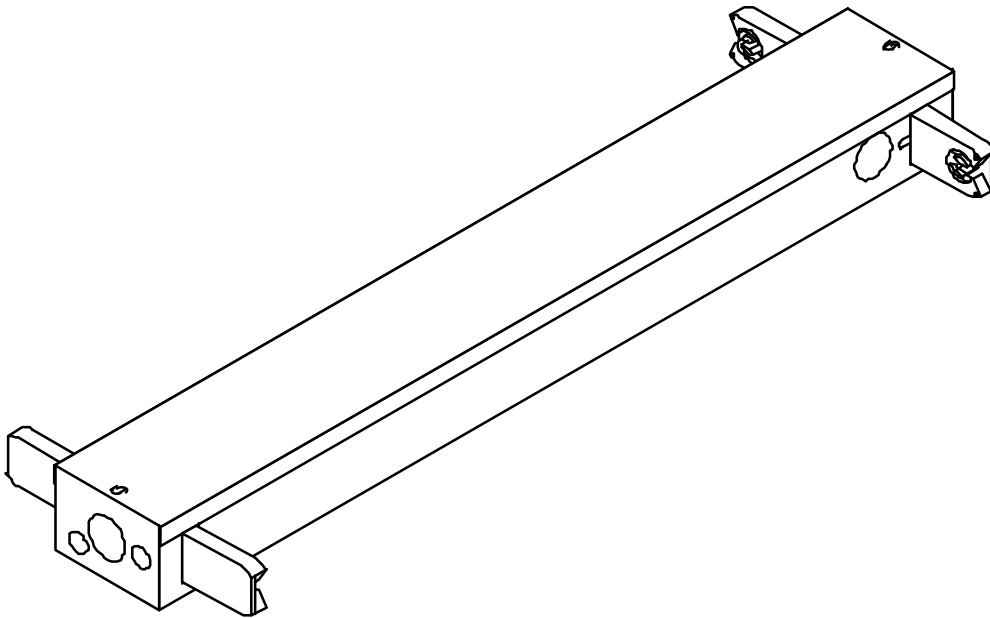
- SIDE AND SIDE MOUNT

CATALOG NO.	LAMPS	BALLAST	POWER FACTOR	LENGTH	WIDTH	DEPTH	PCS/CTN	UNIT WT.
4214TSSSM	2-14W	Trigger	Low	16	6	1-3/4	6	5
4215TSSSM	2-15W	Trigger	Low	19	6	1-3/4	6	5
4224TSSSM	2-20W	Trigger	Low	25	6	1-3/4	6	6
4236RSSM	2-30W	Rapid	High	37	6	1-3/4	6	7
4248RSSM	2-34W	Rapid	High	49	6	1-3/4	6	8

- ⊞ Housing and ends are die-formed steel, finished with baked white polyester powder coating.
- ⊞ Preheat, trigger and rapid start.
- ⊞ Asymmetric reflectors are available for directional control.
- ⊞ Shallow 1-3/4" depth is ideal anywhere that space is a problem.
- ⊞ Unit or row installation.



4200SSM SERIES



MOUNTING - Complete with knockouts for surface mounting or pendant mounting, individually or in continuous rows. Pendant mounting accessories available on specification. Conduit knockouts are supplied on ends and back.

ELECTRICAL - Furnished standard with UL listed ballasts, for 120 Volt 60 Hz A.C. operation. Other voltages and accessories available. Fixtures bear the I.B.E.W., A.F. of L., and Underwriters' Laboratories, Inc. labels.

APPLICATION - An ideal low silhouette unit for all limited depth mounting areas with cornices and valances, drop ceilings, wall cases, displays, and many under-cabinet locations.

CONSTRUCTION - Wireway and ends die-formed of code gauge steel, finished in automatic bonderizing, rust preventative process, with high reflectivity powder coated baked white enamel. Reflector is removable for easy access to electrical components.