

TWO LIGHT CONTINUOUS RUN CHANNEL CHANNEL - SIDE-SIDE MOUNT

| CATALOG NO. | LAMPS | BALLAST | POWER FACTOR | LENGTH | WIDTH | DEPTH | PCS/CTN | UNIT WT. |
|---------------|-------|---------|--------------|--------|-------|-------|---------|----------|
| 6214 TS SSM | 2-14W | Trigger | Low | 15 | 6-1/2 | 2 | 3 | 5 |
| 6215 TS SSM | 2-15W | Trigger | Low | 18 | 6-1/2 | 2 | 3 | 6 |
| 6224 TS SSM | 2-20W | Trigger | Low | 24 | 6-1/2 | 2 | 3 | 6 |
| 6236 RS SSM | 2-30W | Rapid | High | 36 | 6-1/2 | 2 | 3 | 7 |
| 6248 RS SSM | 2-34W | Rapid | High | 48 | 6-1/2 | 2 | 3 | 7 |
| 6248 RS-2 SSM | 4-34W | Rapid | High | 96 | 6-1/2 | 2 | 3 | 14 |

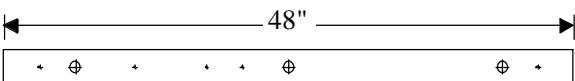
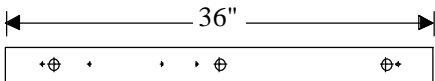
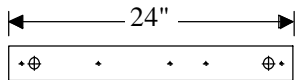
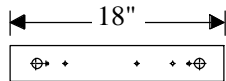
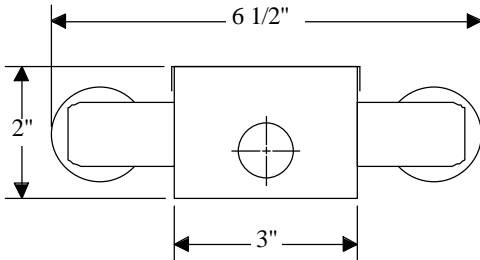
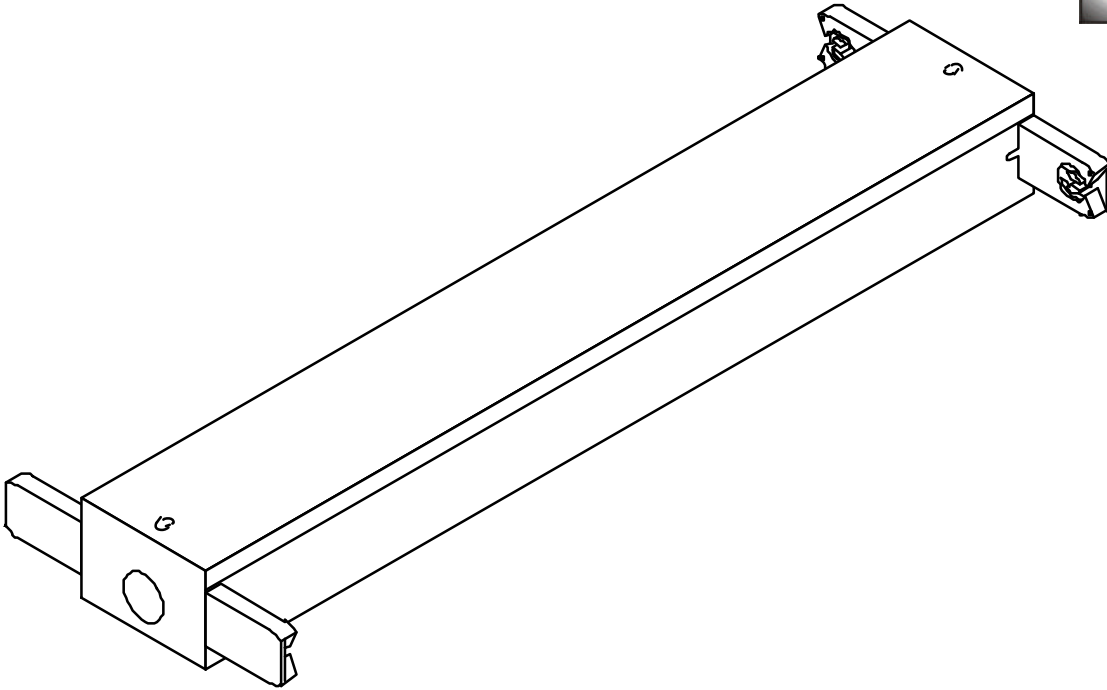
- ⓓ Housing and ends are die-formed steel, finished with baked white polyester powder coating.
- ⓓ Designed for individual or continuous run connections.
- ⓓ Preheat, trigger and rapid start.
- ⓓ Symmetric and asymmetric reflectors are available for more downlight and directional control.
- ⓓ Pendant or surface mounting, unit or row installation.

All H & H Lighting Fixtures are completely wired for 118 volts 60 cycle A.C. operation. Ready for installation. All fixtures bear the I.B.E.W., A. F. of L. and Underwriters Laboratories, Inc. labels.



H Lighting Company, Inc. • St. Louis, Missouri • 314/773-1176 • FAX 314/773-2890

6200SSM SERIES



MOUNTING - Complete with knockouts for surface mounting or pendant mounting, individually or in continuous rows. Pendant mounting accessories available on specification. Conduit knockouts are supplied on ends and back.

ELECTRICAL - Furnished standard with UL listed ballasts, for 120 Volt 60 Hz A.C. operation. Other voltages and accessories available. Fixtures bear the I.B.E.W., A.F. of L., and Underwriters' Laboratories, Inc. labels.

APPLICATION - An ideal low silhouette unit for all limited depth mounting areas with cornices and valances, drop ceilings, wall cases, displays, and many under-cabinet locations.

CONSTRUCTION - Wireway and ends die-formed of code gauge steel, finished in automatic bonderizing, rust preventative process, with high reflectivity powder coated baked white enamel. Reflector is removable for easy access to electrical components.