

# TWO LIGHT CONTINUOUS RUN CHANNEL - SIDE-BOTTOM MOUNT

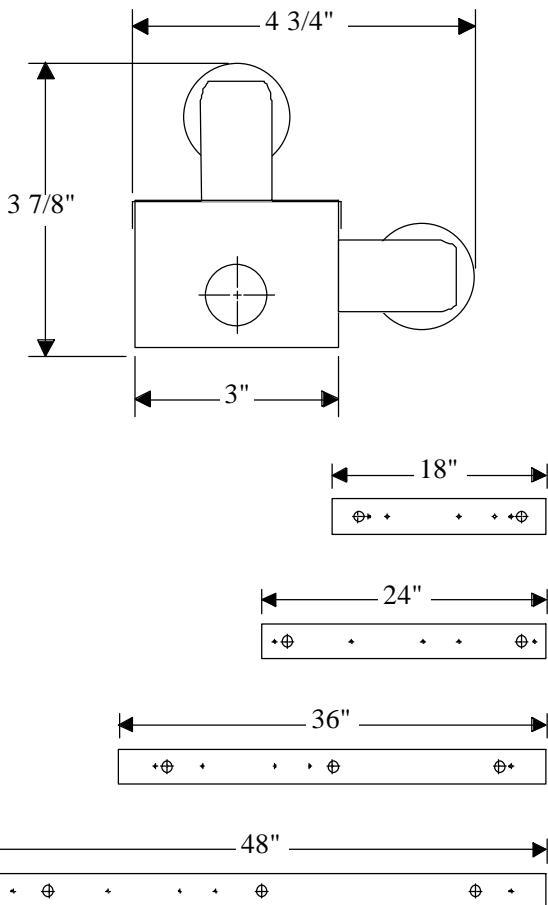
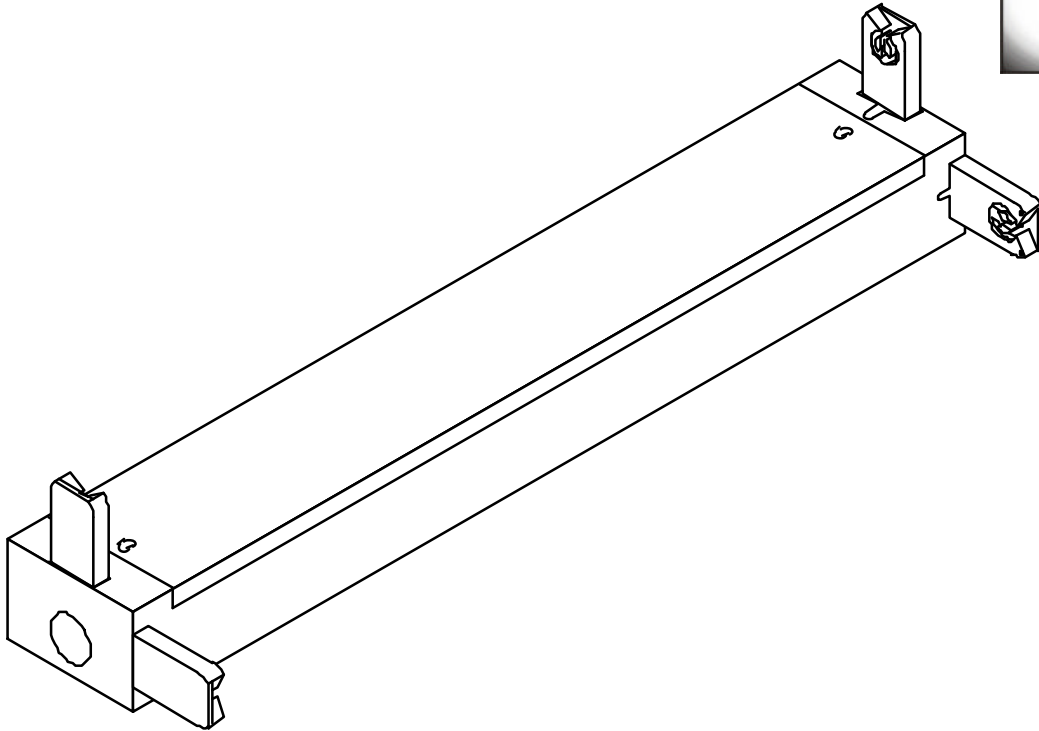
CATALOG NO.	LAMPS	BALLAST	POWER FACTOR	LENGTH	WIDTH	DEPTH	PCS/CTN	UNIT WT.
6214 TSSBM	2-14W	Trigger	Low	15	4-3/4	3-7/8	3	5
6215 TSSBM	2-15W	Trigger	Low	18	4-3/4	3-7/8	3	6
6224 TSSBM	2-20W	Trigger	Low	24	4-3/4	3-7/8	3	6
6236 RS SBM	2-30W	Rapid	High	36	4-3/4	3-7/8	3	7
6248 RS SBM	2-34W	Rapid	High	48	4-3/4	3-7/8	3	7
6248 RS-2 SBM	2-34W	Rapid	High	96	4-3/4	3-7/8	3	7

- ⓓ Housing and ends are die-formed steel, finished with baked white polyester powder coating.
- ⓓ Designed for individual or continuous run connections.
- ⓓ Preheat, trigger start and rapid start.
- ⓓ Symmetric and asymmetric reflectors are available for more downlight and directional control.
- ⓓ Pendant or surface mounting, unit or row installation.

All H & H Lighting Fixtures are completely wired for 118 volts 60 cycle A.C. operation. Ready for installation. All fixtures bear the I.B.E.W., A. F. of L. and Underwriters Laboratories, Inc. labels.



# 6200SBM SERIES



**MOUNTING** - Complete with knockouts for surface mounting or pendant mounting, individually or in continuous rows. Pendant mounting accessories available on specification. Conduit knockouts are supplied on ends and back.

**ELECTRICAL** - Furnished standard with UL listed ballasts, for 120 Volt 60 Hz A.C. operation. Other voltages and accessories available. Fixtures bear the I.B.E.W., A.F. of L., and Underwriters' Laboratories, Inc. labels.

**APPLICATION** - An ideal low silhouette unit for all limited depth mounting areas with cornices and valances, drop ceilings, wall cases, displays, and many under-cabinet locations.

**CONSTRUCTION** - Wireway and ends die-formed of code gauge steel, finished in automatic bonderizing, rust preventative process, with high reflectivity powder coated baked white enamel. Reflector is removable for easy access to electrical components.