

240 RFP

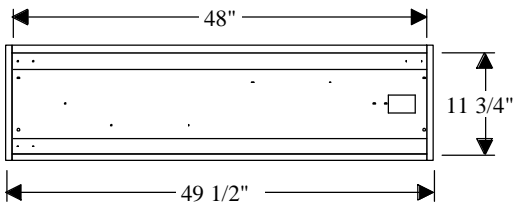
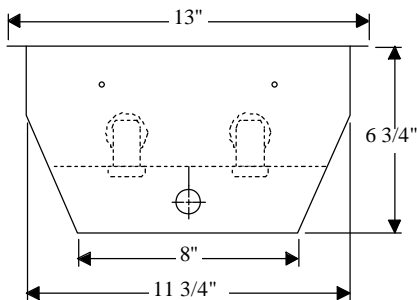
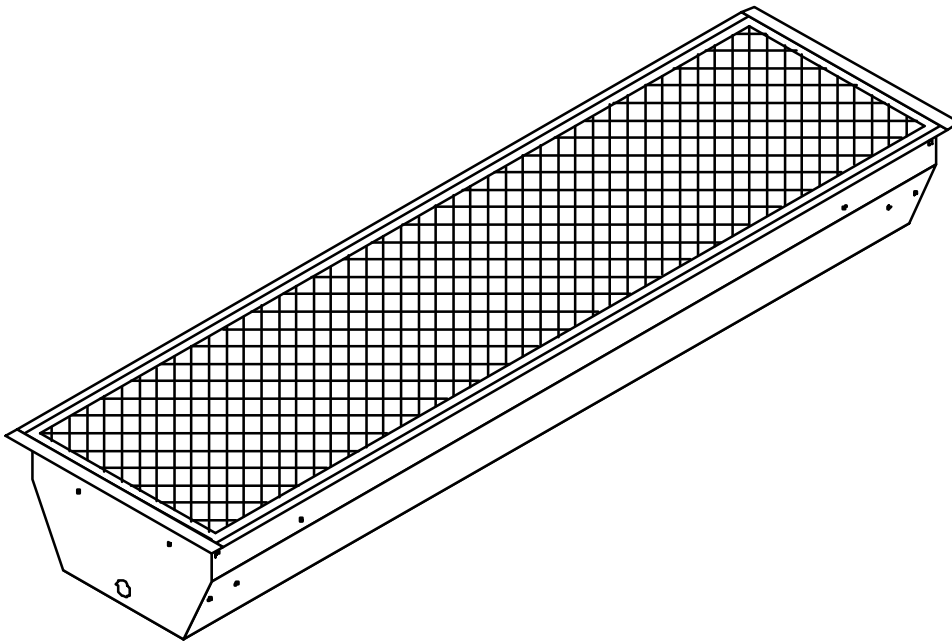
CATALOG NO.	LAMPS	BALLAST	POWER FACTOR	LENGTH	WIDTH	DEPTH	PCS/CTN	UNIT WT.
220 RFP TS	2-20W	Trigger	Low	24-1/8	11-3/4	6-3/4	1	13
320 RFP TS	3-20W	Trigger	Low	24-1/8	11-3/4	6-3/4	1	17
420 RFP TS	4-20W	Trigger	Low	24-1/8	11-3/4	6-3/4	1	20
240 RFP RS	2-34W	Rapid	High	48-1/8	11-3/4	6-3/4	1	34
340 RFP RS	3-34W	Rapid	High	48-1/8	11-3/4	6-3/4	1	37
440 RFP RS	4-34W	Rapid	High	48-1/8	11-3/4	6-3/4	1	40
272 RFP SL	2-55W	Slimline	High	72-1/8	11-3/4	6-3/4	1	40
296 RFP SL	2-60W	Slimline	High	96-1/8	11-3/4	6-3/4	1	47

- ⓓ Housing, door frame, and wireway are die-formed steel, finished with baked white polyester powder coating.
- ⓓ Frame is hinged on one side, rotary-action cam latch on opposite side.
- ⓓ Removable end trim allows for unit or row installation.
- ⓓ Inside components removable without the use of tools.
- ⓓ Adequate knockouts for normal installation methods.
- ⓓ Standard diffuser is Pattern 12 Prismatic acrylic.
- ⓓ Plaster frames and saddle straps optional.

All H & H Lighting Fixtures are completely wired for 118 volts 60 cycle A.C. operation. Ready for installation. All fixtures bear the I.B.E.W., A. F. of L. and Underwriters Laboratories labels.



240 RFP



MOUNTING - Complete with knockouts for mounting individually or in continuous rows. Conduit knockouts are supplied on ends and back.

ELECTRICAL - Furnished standard with UL listed ballasts, for 120 Volt 60 Hz A.C. operation. Other voltages and accessories available. Fixtures bear the I.B.E.W., A.F. of L., and Underwriters' Laboratories, Inc. labels.

APPLICATION - An ideal silhouette unit for all limited depth mounting areas with cornices and valances.

CONSTRUCTION - Wireway and ends die-formed of code gauge steel, finished in automatic bonderizing, rust preventative process, with high reflectivity powder coated baked white enamel. Reflector is removable for easy access to electrical components.