

INDUSTRIAL FIXTURE - 1500 MA POWER GROOVE VHO - SHO

CATALOG NO.	LAMPS	BALLAST	POWER FACTOR	LENGTH	WIDTH	DEPTH	PCS/CTN	UNIT WT.
5248 VHO	2-110 W	1500MA	High	48	12-1/2	5-3/8	1	30
5448 VHO	4-110 W	1500MA	High	48	15	5	1	50
5196 VHO	1-215 W	1500MA	High	96	8-7/8	4	1	28
5296 VHO	2-215 W	1500MA	High	96	12-1/2	5-3/8	1	49
5496 VHO	4-215 W	1500MA	High	96	15	5	1	80

TANDEM (16 FOOT) UNIT

5196-2 VHO	2-215 W	1500MA	High	192	8-7/8	4	1	60
------------	---------	--------	------	-----	-------	---	---	----

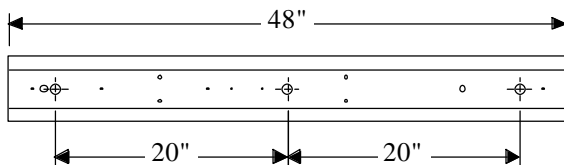
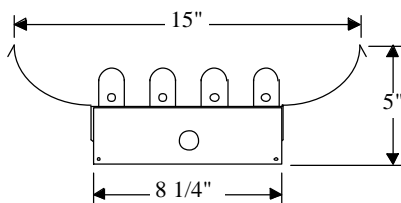
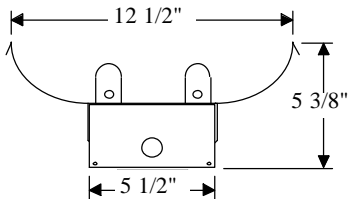
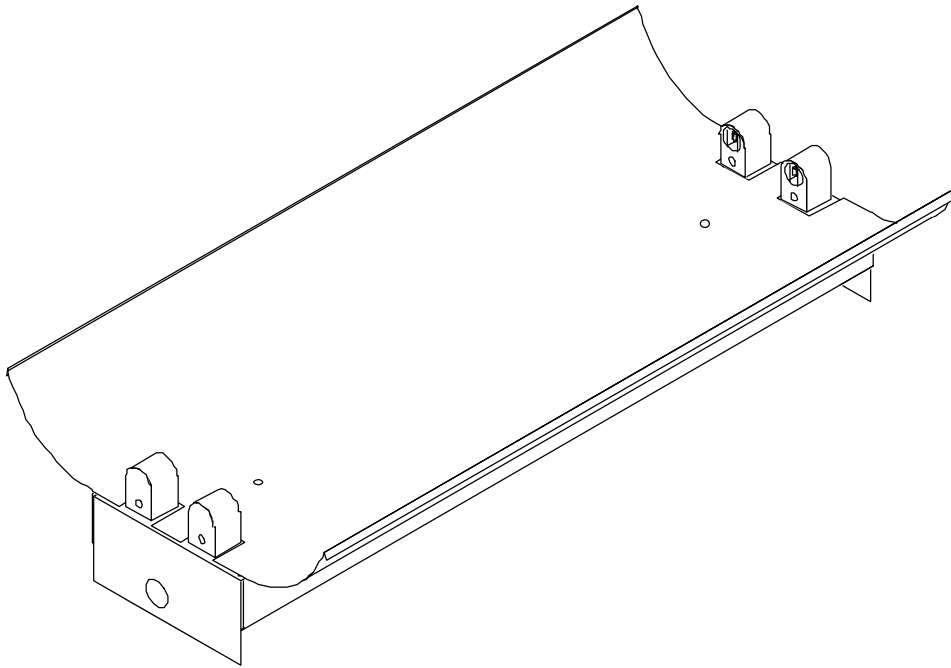
- ⓓ Housing, ends, and reflector are die-formed steel, finished with baked white polyester powder coating.
- ⓓ Solid-top, one-piece reflector standard.
- ⓓ Uplight available with optional aperture reflector.
- ⓓ Surface, pendant, or chain mounting, individual or continuous row installation.
- ⓓ Reflector removes without the use of tools.
- ⓓ For aperture reflectors for industrial fixtures, add suffix--APP.



H Lighting Company, Inc. • St. Louis, Missouri • 314/773-1176 • FAX 314/773-2890

All H & H Lighting Fixtures are completely wired for 118 volts 60 cycle A.C. operation. Ready for installation. All fixtures bear the I.B.E.W., A. F. of L. and Underwriters Laboratories labels.

POWER GROOVE



MOUNTING - Complete with knockouts for surface mounting or pendant mounting, individually or in continuous rows. Pendant mounting accessories available on specification. Conduit knockouts are supplied on ends and back.

ELECTRICAL - Furnished standard with UL listed ballasts, for 120 Volt 60 Hz A.C. operation. Other voltages and accessories available. Fixtures bear the I.B.E.W., A.F. of L., and Underwriters' Laboratories, Inc. labels.

APPLICATION - All industrial fixtures are designed for quick, easy installation either, hanging or flush, individually or continuous rows.

CONSTRUCTION - Wireway and ends die-formed of code gauge steel, finished in automatic bonderizing, rust preventative process, with high reflectivity powder coated baked white enamel. Reflector is removable for easy access to electrical components.