

MULTIPURPOSE WALL BRACKET

CATALOG NO.	LAMPS	BALLAST	POWER FACTOR	LENGTH	WIDTH	DEPTH	PCS/CTN	UNIT WT.
3120 C RS	1-20W	Trigger	Low	24 3/8	4 1/2	5 5/8	3	6
3220 C RS	2-20W	Trigger	Low	24 3/8	4 1/2	5 5/8	3	6
3130 C RS	1-30W	Rapid	Low	36 3/8	4 1/2	5 5/8	3	9
3230 C RS	2-30W	Rapid	High	36 3/8	4 1/2	5 5/8	3	9
3140 C RS	1-34W	Rapid	High	48 3/8	4 1/2	5 5/8	3	11
3240 C RS	2-34W	Rapid	High	48 3/8	4 1/2	5 5/8	3	11

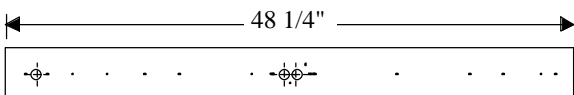
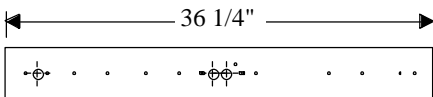
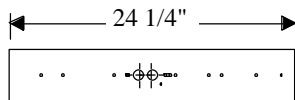
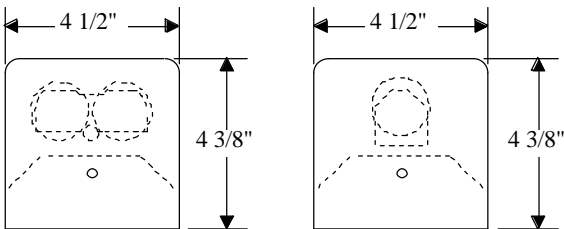
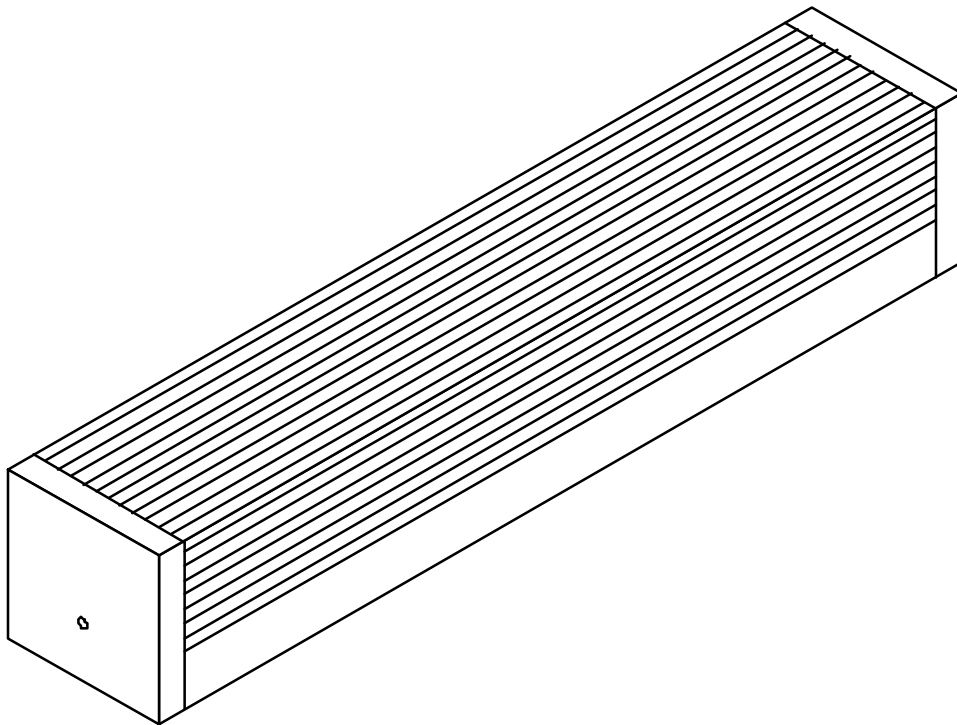
- ⓓ Suitable for wall or ceiling mounting.
- ⓓ Can be mounted vertically or horizontally.
- ⓓ Can provide uplight, downlight, or frontlight.
- ⓓ Housing and ends are die-formed steel.
- ⓓ Standard diffuser is ribbed milk white acrylic.
- ⓓ Switch (pull and push) and convenient outlets available upon request.



H Lighting Company, Inc. • St. Louis, Missouri • 314/773-1176 • FAX 314/773-7730

All H & H Lighting Fixtures are completely wired for 118 volts 60 cycle A.C. operation. Ready for installation. All fixtures bear the I.B.E.W., A. F. of L. and Underwriters Laboratories, Inc. labels.

3000 SERIES



MOUNTING - Complete with knockouts for surface mounting. Conduit knockouts are supplied on back.

ELECTRICAL - Furnished standard with UL listed ballasts, for 120 Volt 60 Hz A.C. operation. Other voltages and accessories available. Fixtures bear the I.B.E.W., A.F. of L., and Underwriters' Laboratories, Inc. labels.

APPLICATION - An ideal low silhouette unit for all limited depth mounting areas with cornices and valances, wall cases, displays, and many under-cabinet locations.

CONSTRUCTION - Wireway and ends die-formed of code gauge steel, finished in automatic bonderizing, rust preventative process, with high reflectivity baked white enamel on inside reflector. Reflector is removable for easy access to electrical components. Outside finished in dark walnut, other finishes available upon request.