

LTL NUMBER: 06361

DATE: 12-12-2001

PREPARED FOR: H&H LIGHTING COMPANY, INC.

CATALOG NUMBER: CT2-3L-4K, 3 LIGHT VAPOR PROOF FIXTURE

LUMINAIRE: FORMED ACRYLIC HOUSING, FORMED WHITE ENAMEL STEEL REFLECTOR, CLEAR POLYCARBONATE LINEAR PRISMATIC LENS.

LAMPS: THREE PHILIPS F32T8/TL741 RATED AT 2850 LUMENS EACH.

BALLAST: ONE ADVANCE REL-3P32-SC

MOUNTING: SURFACE

#06361

LUMEN TO CANDELA RATIO USED = 9.18

TOTAL INPUT WATTS = 75.7 AT 120.0 VOLTS

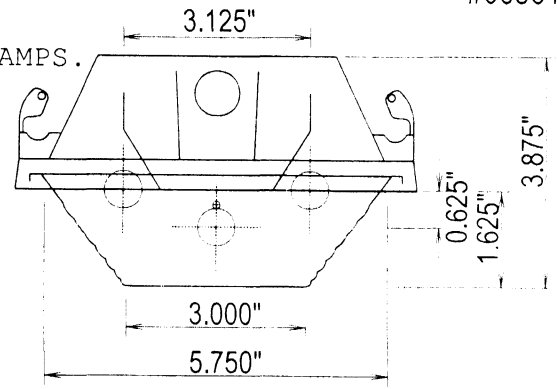
THE 0 DEGREE PLANE IS PARALLEL WITH THE LAMPS.

CANDELA DISTRIBUTION

	0.0	22.5	45.0	67.5	90.0	
0	1316	1316	1316	1316	1316	
5	1307	1319	1335	1334	1335	
15	1258	1290	1312	1326	1333	
25	1162	1209	1246	1269	1276	
35	1022	1086	1127	1151	1161	
45	846	912	965	1016	1041	
55	634	695	794	886	926	
65	406	465	645	761	801	
75	169	289	481	619	667	
85	22	155	327	444	484	
90	9	86	228	334	371	
95	10	37	135	226	261	
105	7	9	44	74	90	
115	0	0	12	31	33	
125	0	0	0	7	10	
135	0	0	0	0	0	
145	0	0	0	0	0	
155	0	0	0	0	0	
165	0	0	0	0	0	
175	0	0	0	0	0	
180	0	0	0	0	0	

FLUX

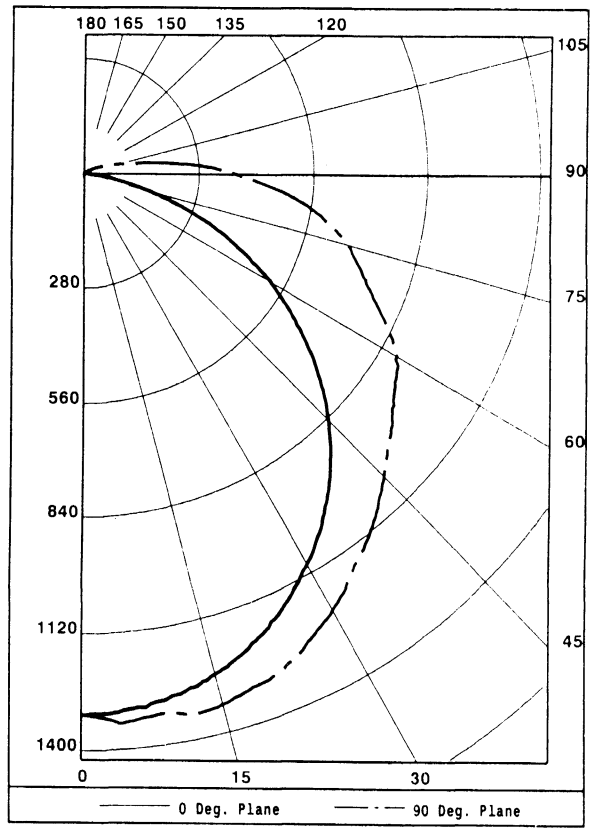
126
369
570
698
741
707
614
478
320
148
48
16
3
0
0
0
0
0
0
0
0
0



ZONAL LUMEN SUMMARY

ZONE	LUMENS	%LAMP	%FIXT
0- 30	1065	12.5	22.0
0- 40	1763	20.6	36.4
0- 60	3211	37.6	66.4
0- 90	4623	54.1	95.5
90-120	213	2.5	4.4
90-130	216	2.5	4.5
90-150	216	2.5	4.5
90-180	216	2.5	4.5
0-180	4839	56.6	100.0

TOTAL LUMINAIRE EFFICIENCY: 56.6%
 TOTAL REFLECTANCE OF PAINT: 89.3%
 CIE TYPE: DIRECT
 PLANE: 0-DEG 90-DEG
 SPACING CRITERIA: 1.2 1.4



LTL NUMBER: 06361
 PREPARED FOR: H&H LIGHTING COMPANY, INC.

DATE: 12-12-2001

CANDELA DISTRIBUTION

ZONAL LUMEN SUMMARY

	0.0	22.5	45.0	67.5	90.0	0- 5	32.
0	1316	1316	1316	1316	1316	5- 10	95.
5	1307	1319	1335	1334	1335	10- 15	156.
10	1288	1319	1323	1322	1330	15- 20	213.
15	1258	1290	1312	1326	1333	20- 25	264.
20	1214	1248	1289	1297	1311	25- 30	306.
25	1162	1209	1246	1269	1276	30- 35	339.
30	1098	1155	1199	1212	1223	35- 40	359.
35	1022	1086	1127	1151	1161	40- 45	371.
40	939	1003	1050	1089	1106	45- 50	371.
45	846	912	965	1016	1041	50- 55	361.
50	744	807	880	947	981	55- 60	345.
55	634	695	794	886	926	60- 65	323.
60	524	579	716	838	884	65- 70	291.
65	406	465	645	761	801	70- 75	256.
70	282	373	559	682	726	75- 80	222.
75	169	289	481	619	667	80- 85	183.
80	77	217	416	544	587	85- 90	137.
85	22	155	327	444	484	90- 95	94.
90	9	86	228	334	371	95-100	55.
95	10	37	135	226	261	100-105	31.
100	10	20	72	127	152	105-110	18.
105	7	9	44	74	90	110-115	10.
110	1	1	24	48	54	115-120	6.
115	0	0	12	31	33	120-125	2.
120	0	0	5	17	22	125-130	1.
125	0	0	0	7	10	130-135	0.
130	0	0	0	1	4	135-140	0.
135	0	0	0	0	0	140-145	0.
140	0	0	0	0	0	145-150	0.
145	0	0	0	0	0	150-155	0.
150	0	0	0	0	0	155-160	0.
155	0	0	0	0	0	160-165	0.
160	0	0	0	0	0	165-170	0.
165	0	0	0	0	0	170-175	0.
170	0	0	0	0	0	175-180	0.
175	0	0	0	0	0		