

LTL NUMBER: 06360

DATE: 12-12-2001

PREPARED FOR: H&H LIGHTING COMPANY, INC.

CATALOG NUMBER: CT2-2L-4K, 2 LIGHT VAPOR PROOF FIXTURE

LUMINAIRE: FORMED ACRYLIC HOUSING, FORMED WHITE ENAMEL STEEL REFLECTOR,  
CLEAR POLYCARBONATE LINEAR PRISMATIC LENS.

LAMPS: TWO PHILIPS F32T8/TL741 RATED AT 2850 LUMENS EACH.

BALLAST: ONE ADVANCE REL-2P32-SC

MOUNTING: SURFACE

LUMEN TO CANDELA RATIO USED = 9.18

TOTAL INPUT WATTS = 57.2 AT 120.0 VOLTS

THE 0 DEGREE PLANE IS PARALLEL WITH THE LAMPS.

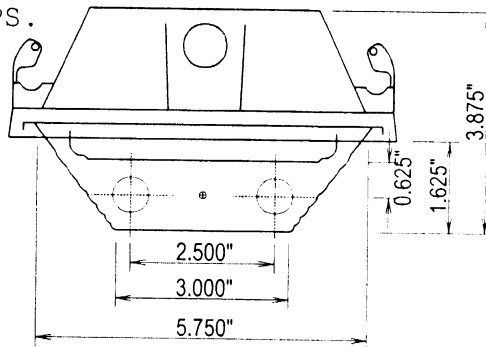
#06360

CANDELA DISTRIBUTION

	0.0	22.5	45.0	67.5	90.0
0	961	961	961	961	961
5	955	961	963	954	956
15	919	926	948	952	964
25	852	872	910	934	950
35	754	786	848	896	916
45	625	668	765	829	860
55	467	541	660	747	783
65	298	388	539	631	669
75	124	232	380	483	521
85	15	116	273	387	426
90	6	83	238	348	387
95	6	53	199	313	351
105	1	9	91	208	256
115	0	0	21	64	91
125	0	0	0	13	21
135	0	0	0	0	1
145	0	0	0	0	0
155	0	0	0	0	0
165	0	0	0	0	0
175	0	0	0	0	0
180	0	0	0	0	0

FLUX

91
267
417
527
580
575
504
375
271
202
116
34
6
0
0
0
0
0
0
0



ZONAL LUMEN SUMMARY

ZONE	LUMENS	%LAMP	%FIXT
0- 30	775	13.6	19.5
0- 40	1302	22.8	32.8
0- 60	2457	43.1	62.0
0- 90	3607	63.3	91.0
90-120	352	6.2	8.9
90-130	358	6.3	9.0
90-150	359	6.3	9.0
90-180	359	6.3	9.0
0-180	3966	69.6	100.0

TOTAL LUMINAIRE EFFICIENCY:

69.6%

TOTAL REFLECTANCE OF PAINT:

80.8%

CIE TYPE:

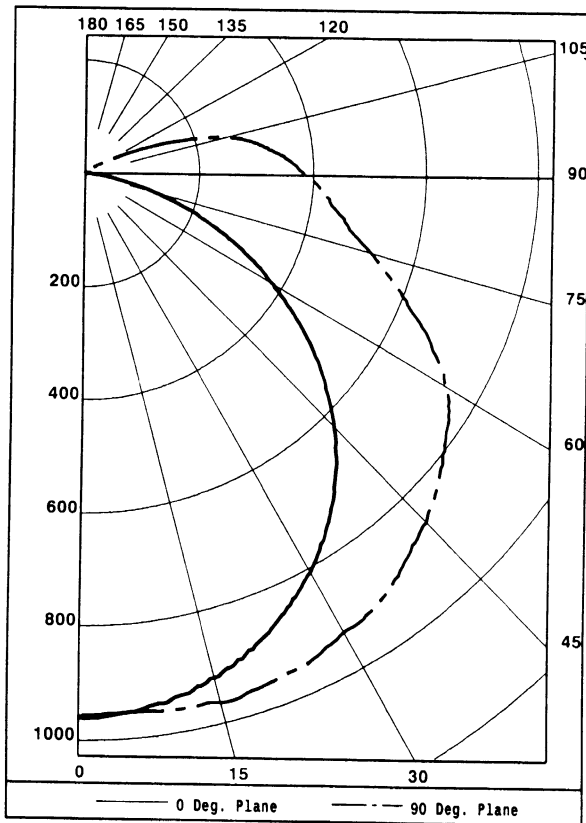
DIRECT

PLANE:

0-DEG 90-DEG

SPACING CRITERIA:

1.2 1.5



LTL NUMBER: 06360  
 PREPARED FOR: H&H LIGHTING COMPANY, INC.

DATE: 12-12-2001

CANDELA DISTRIBUTION

ZONAL LUMEN SUMMARY

	0.0	22.5	45.0	67.5	90.0	0- 5	23.
0	961	961	961	961	961	5- 10	68.
5	955	961	963	954	956	10- 15	112.
10	941	947	955	955	960	15- 20	154.
15	919	926	948	952	964	20- 25	192.
20	891	903	933	947	957	25- 30	225.
25	852	872	910	934	950	30- 35	253.
30	808	833	883	912	930	35- 40	274.
35	754	786	848	896	916	40- 45	287.
40	693	726	808	866	887	45- 50	294.
45	625	668	765	829	860	50- 55	292.
50	549	609	712	790	823	55- 60	283.
55	467	541	660	747	783	60- 65	266.
60	385	465	600	704	742	65- 70	238.
65	298	388	539	631	669	70- 75	204.
70	212	308	458	556	594	75- 80	171.
75	124	232	380	483	521	80- 85	144.
80	55	163	313	422	463	85- 90	127.
85	15	116	273	387	426	90- 95	111.
90	6	83	238	348	387	95-100	91.
95	6	53	199	313	351	100-105	71.
100	3	25	154	267	308	105-110	45.
105	1	9	91	208	256	110-115	23.
110	0	1	43	127	171	115-120	11.
115	0	0	21	64	91	120-125	5.
120	0	0	8	30	42	125-130	1.
125	0	0	0	13	21	130-135	0.
130	0	0	0	4	6	135-140	0.
135	0	0	0	0	1	140-145	0.
140	0	0	0	0	0	145-150	0.
145	0	0	0	0	0	150-155	0.
150	0	0	0	0	0	155-160	0.
155	0	0	0	0	0	160-165	0.
160	0	0	0	0	0	165-170	0.
165	0	0	0	0	0	170-175	0.
170	0	0	0	0	0	175-180	0.
175	0	0	0	0	0		