

# DECOR VALANCE

CATALOG NO.	LAMPS	BALLAST	POWER FACTOR	LENGTH	WIDTH	DEPTH	PCS/ CTN	UNIT WT.
DV 120 TS	1-20W	Trigger	Low	24 7/16	6	5 3/4	1	11
DV 220 TS	2-20W	Trigger	Low	24 7/16	6	5 3/4	1	11
DV 140 RS	1-34W	Rapid	High	48 7/16	6	5 3/4	1	15
DV 240 RS	2-34W	Rapid	High	48 7/16	6	5 3/4	1	15

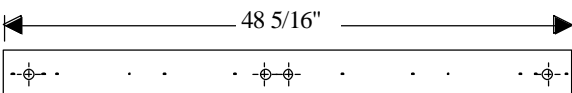
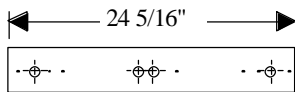
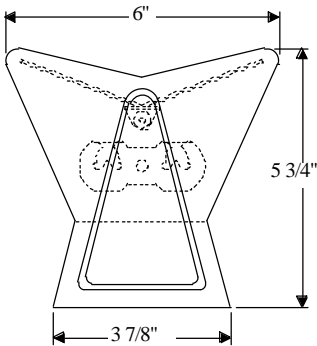
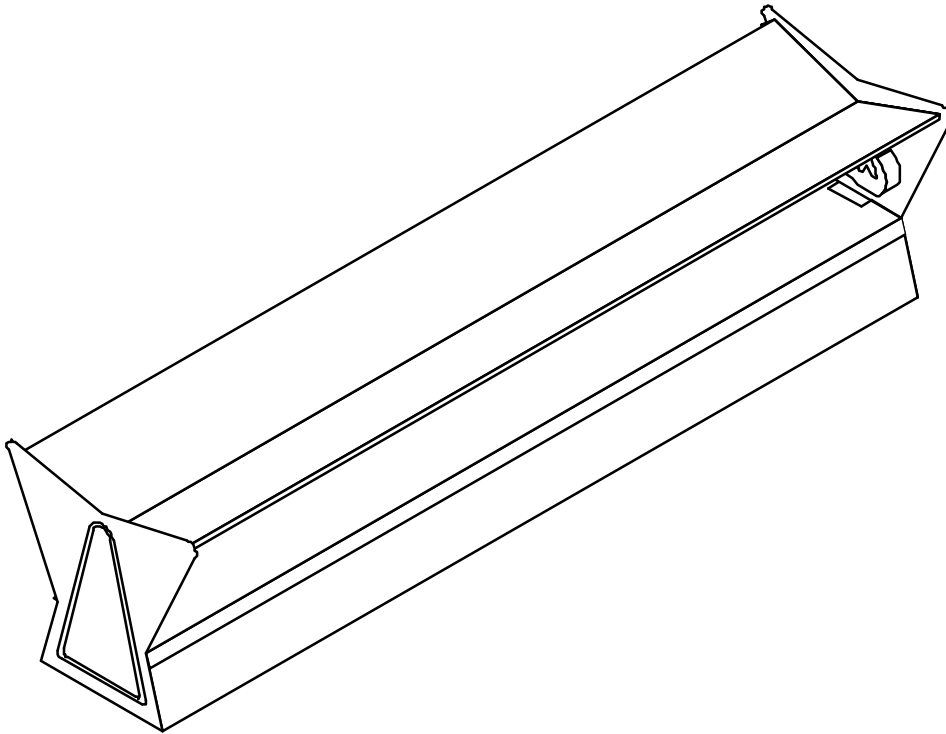
- ⊕ Suitable for wall or ceiling mounting.
- ⊕ Can be mounted vertically or horizontally.
- ⊕ Can provide uplight or downlight.
- ⊕ Housing and ends are die-formed steel, finished with attractive walnut woodgrain or baked white polyester powder coating.
- ⊕ Switch (pull and push) and convenient outlets available upon request.



H Lighting Company, Inc. • St. Louis, Missouri • 314/773-1176 • FAX 314/773-2890

All H & H Lighting Fixtures are completely wired for 118 volts 60 cycle A.C. operation. Ready for installation. All fixtures bear the I.B.E.W., A. F. of L. and Underwriters Laboratories labels.

# DECOR VALANCE



**MOUNTING** - Complete with knockouts for surface mounting or pendant mounting, individually or in continuous rows. Pendant mounting accessories available on specification. Conduit knockouts are supplied on back.

**ELECTRICAL** - Furnished standard with UL listed ballasts, for 120 Volt 60 Hz A.C. operation. Other voltages and accessories available. Fixtures bear the I.B.E.W., A.F. of L., and Underwriters' Laboratories, Inc. labels.

**APPLICATION** - An ideal unit for lavatories, corridors and utility areas. Suitable for wall or ceiling mounting, can be mounted vertically or horizontally.

**CONSTRUCTION** - Wireway and ends die-formed of code gauge steel, finished in automatic bonderizing, rust preventative process, with high reflectivity powder coated baked white enamel. Reflector is removable for easy access to electrical components.