

# FOUR LIGHT SPECIAL

CATALOG NO.	LAMPS	BALLAST	POWER FACTOR	LENGTH	WIDTH	DEPTH	PCS/CTN	UNIT WT.
4448 SL	4-40W	430 mA	High	48	8-3/8	4-1/8	1	30
4448 HO	4-60W	800 mA	High	48	8-3/8	4-1/8	1	46
4448 PG	4-110W	1500 mA	High	48	8-3/8	4-1/8	1	60
4496 SL	4-40W	430 mA	High	96	8-3/8	4-1/8	1	54
4496 HO	4-110W	800 mA	High	96	8-3/8	4-1/8	1	64
4496 PG	4-210W	1500 mA	High	96	8-3/8	4-1/8	1	80

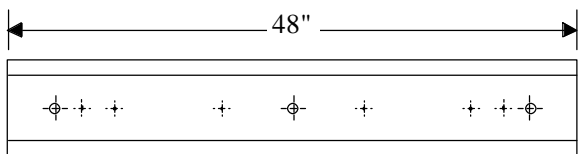
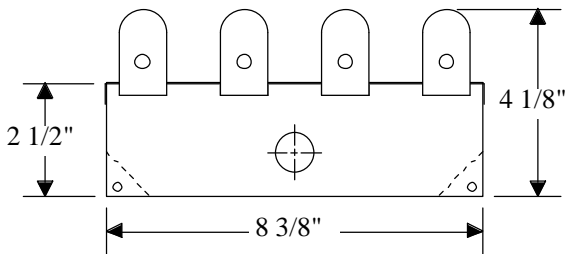
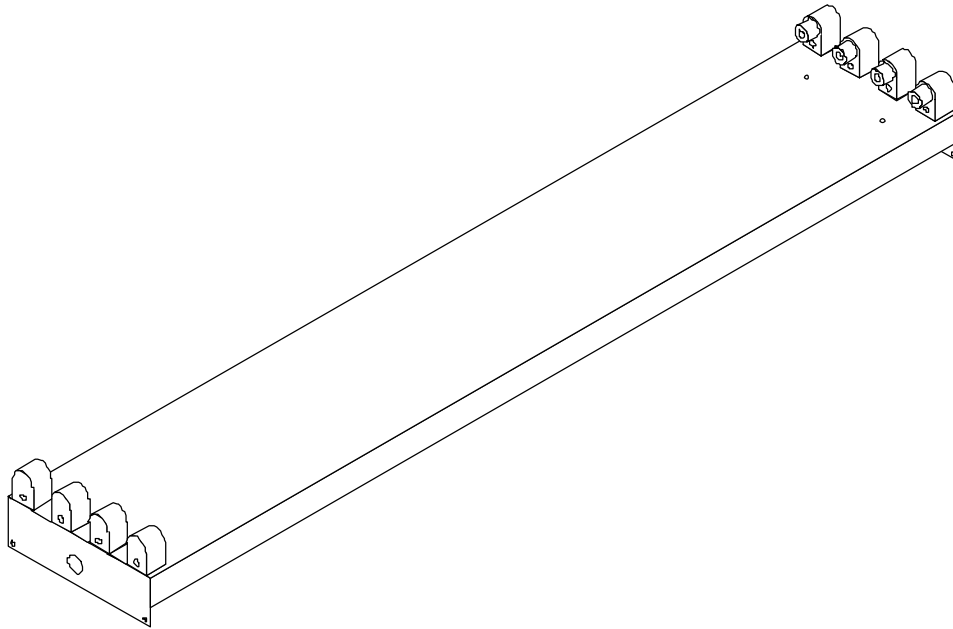
- ⓓ Housing is die-formed steel, finished with baked white enamel.
- ⓓ Slimline, high output, and power groove..
- ⓓ Symmetric and asymmetric reflectors are available for more downlight and directional control.
- ⓓ Pendant or surface mounting, individual or continuous row installation.
- ⓓ Wire guards are available upon request.



H Lighting Company, Inc. • St. Louis, Missouri • 314/773-1176 • FAX 314/773-7730

All H & H Lighting Fixtures are completely wired for 118 volts 60 cycle A.C. operation. Ready for installation. All fixtures bear the I.B.E.W., A. F. of L. and Underwriters Laboratories labels.

# 4400 SERIES



**MOUNTING** - Complete with knockouts for surface mounting or pendant mounting, individually or in continuous rows. Pendant mounting accessories available on specification. Conduit knockouts are supplied on ends and back.

**ELECTRICAL** - Furnished standard with UL listed ballasts, for 120 Volt 60 Hz A.C. operation. Other voltages and accessories available. Fixtures bear the I.B.E.W., A.F. of L., and Underwriters' Laboratories, Inc. labels.

**APPLICATION** - An ideal low silhouette unit for all limited depth mounting areas with cornices and valances, drop ceilings, wall cases, displays, and many under-cabinet locations.

**CONSTRUCTION** - Wireway and ends die-formed of code gauge steel, finished in automatic bonderizing, rust preventative process, with high reflectivity powder coated baked white enamel. Reflector is removable for easy access to electrical components.