

STANDARD ONE LIGHT CHANNEL

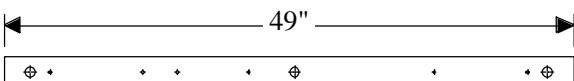
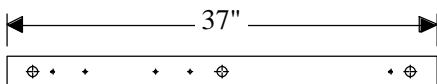
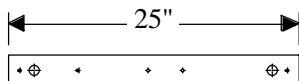
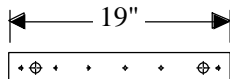
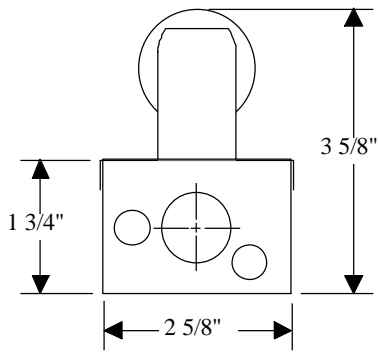
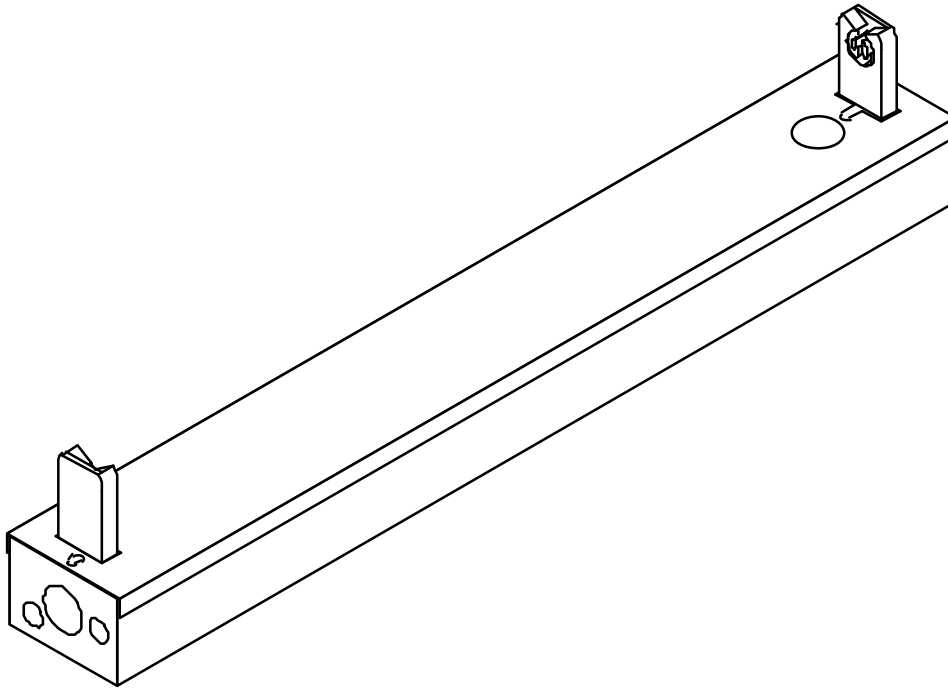
CATALOG NO.	LAMPS	BALLAST	POWER FACTOR	LENGTH	WIDTH	DEPTH	PCS/ CTN	UNIT WT.
4114	1-14W	Preheat	Low	16	2-5/8	3-5/8	6	2-1/2
4114 TS	1-14W	Trigger	Low	16	2-5/8	3-5/8	6	3-1/2
4115	1-15W	Preheat	Low	19	2-5/8	3-5/8	6	3
4115 TS	1-15W	Trigger	Low	19	2-5/8	3-5/8	6	4
4124	1-20W	Preheat	Low	25	2-5/8	3-5/8	6	3
4124 TS	1-20W	Trigger	Low	25	2-5/8	3-5/8	6	4-1/2
4125	1-25W	Preheat	Low	34	2-5/8	3-5/8	6	5
4136	1-30W	Preheat	Low	37	2-5/8	3-5/8	6	5
4136 RS	1-30W	Rapid	Low	37	2-5/8	3-5/8	6	5
4148	1-40W	Preheat	Low	49	2-5/8	3-5/8	6	6-1/2
4148 RS	1-34W	Rapid	High	49	2-5/8	3-5/8	6	7
4148 RS LT	1-40W	Low Temp	High	49	2-5/8	3-5/8	6	7

- ⓓ Housing and ends are die-formed steel, finished with baked white polyester powder coating.
- ⓓ Preheat, trigger start or rapid start.
- ⓓ Symmetric and asymmetric reflectors are available for more downlight and directional control.
- ⓓ Pendant or surface mounting, individual or continuous row installation.
- ⓓ Wire guards are available upon request.

All H & H Lighting Fixtures are completely wired for 118 volts 60 cycle A.C. operation. Ready for installation. All fixtures bear the I.B.E.W., A. F. of L. and Underwriters Laboratories labels.



4100 SERIES



MOUNTING - Complete with knockouts for surface mounting or pendant mounting, individually or in continuous rows. Pendant mounting accessories available on specification. Conduit knockouts are supplied on ends and back.

ELECTRICAL - Furnished standard with UL listed ballasts, for 120 Volt 60 Hz A.C. operation. Other voltages and accessories available. Fixtures bear the I.B.E.W., A.F. of L., and Underwriters' Laboratories, Inc. labels.

APPLICATION - An ideal low silhouette unit for all limited depth mounting areas with cornices and valances, drop ceilings, wall cases, displays, and many under-cabinet locations.

CONSTRUCTION - Wireway and ends die-formed of code gauge steel, finished in automatic bonderizing, rust preventative process, with high reflectivity powder coated baked white enamel. Reflector is removable for easy access to electrical components.