

# ONE LIGHT CONTINUOUS RUN CHANNEL

CATALOG NO.	LAMPS	BALLAST	POWER FACTOR	LENGTH	WIDTH	DEPTH	PCS/CTN	UNIT WT.
6114TS	1-14W	Trigger	Low	15	3	3-7/8	3	4
6115TS	1-15W	Trigger	Low	18	3	3-7/8	3	4
6124TS	1-20W	Trigger	Low	24	3	3-7/8	3	5
6136RS	1-30W	Rapid	Low	36	3	3-7/8	3	5
6148RS	1-34W	Rapid	High	48	3	3-7/8	3	6

## TANDEM ONE LIGHT CONTINUOUS RUN

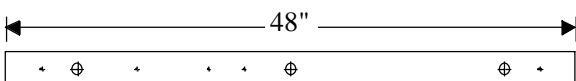
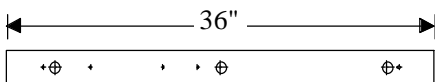
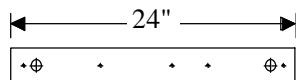
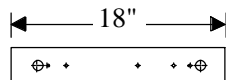
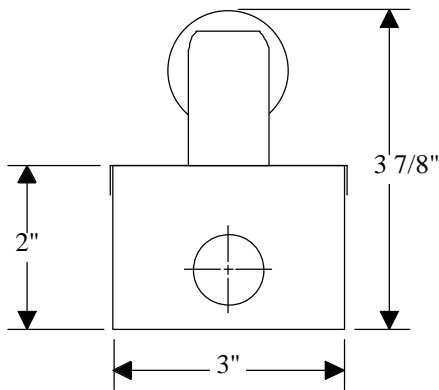
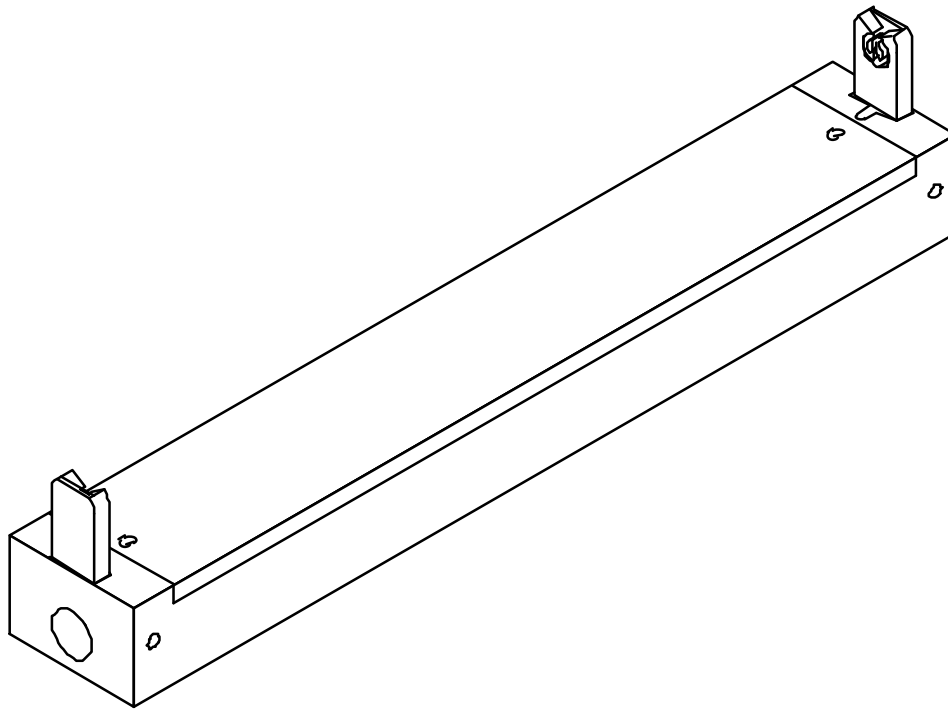
6148-2 RS	2-34W	Rapid	High	96	3	3-7/8	3	9
-----------	-------	-------	------	----	---	-------	---	---

- ⊕ Housing and ends are die-formed steel, finished with baked white polyester powder coating.
- ⊕ Designed for individual or continuous run connections.
- ⊕ Preheat, trigger, and rapid start.
- ⊕ Symmetric and asymmetric reflectors are available for more downlight and directional control.
- ⊕ Pendant or surface mounting, unit or row installation.
- ⊕ Wire guards are available upon request.

All H & H Lighting Fixtures are completely wired for 118 volts 60 cycle A.C. operation. Ready for installation. All fixtures bear the I.B.E.W., A. F. of L. and Underwriters Laboratories labels.



# 6100 SERIES



**MOUNTING** - Complete with knockouts for surface mounting or pendant mounting, individually or in continuous rows. Removable die-formed ends designed for feed-through wiring. Pendant mounting accessories available on specification. Conduit knockouts are supplied on ends and back.

**ELECTRICAL** - Furnished standard with UL listed ballasts, for 120 Volt 60 Hz A.C. operation. Other voltages and accessories available. Fixtures bear the I.B.E.W., A.F. of L., and Underwriters' Laboratories, Inc. labels.

**APPLICATION** - An ideal low silhouette unit for all limited depth mounting areas with cornices and valances, drop ceilings, wall cases, displays, and many under-cabinet locations.

**CONSTRUCTION** - Wireway and ends die-formed of code gauge steel, finished in automatic bonderizing, rust preventative process, with high reflectivity powder coated baked white enamel. Reflector is removable for easy access to electrical components.